

TAG: _____

Specifications

NOTE: All dimensions are in mm/inches.

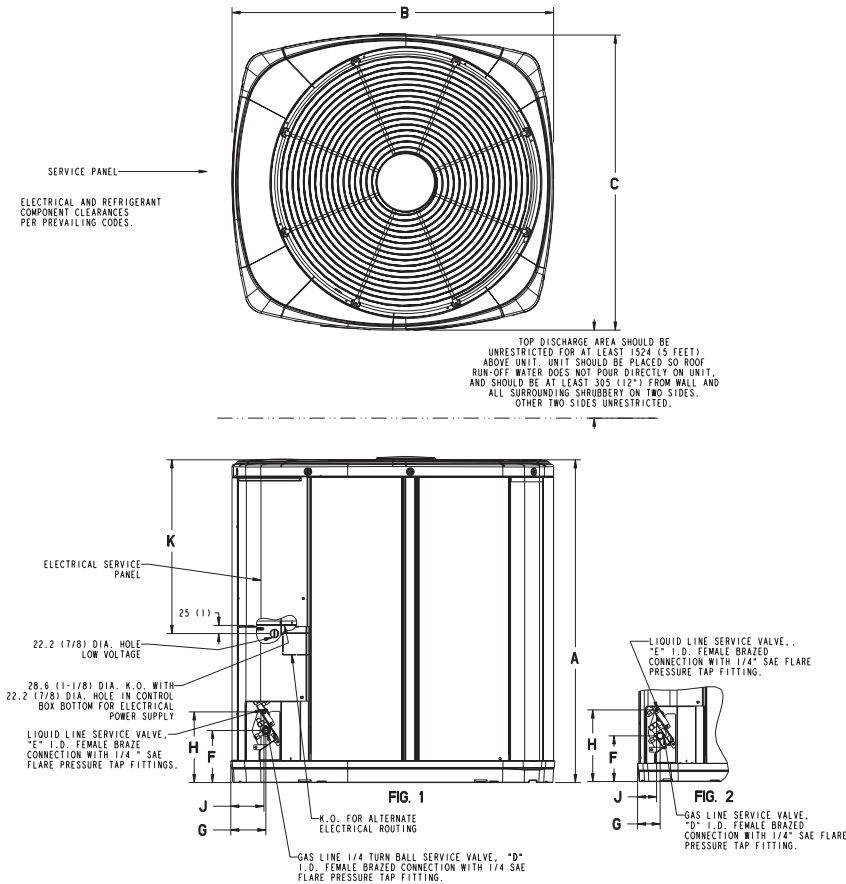
3 Ton Split System Heat Pump — 1 Phase 4A6H4036B

Outdoor Unit ①② 4A6H4036B1000A

General Data

Model No.(1)	4A6H4036B1000AA
Electrical Data V/Ph/Hz(2)	208/230/1/60
Min Cir Ampacity	21
Max Fuse Size (Amps)	35
Compressor	DURATION - TM - SCROLL
RL Amps - LR Amps	15.4 - 83
Outdoor Fan FL Amps	1.3
Fan HP	1/6
Fan Dia (inches)	27.6
Coil	Spine Fin TM
Refrigerant R-410A	7/01-LB/OZ
Line Size-(in.) O.D. Gas (3)	3/4
Line Size-(in.) O.D. Liquid (3)	3/8
Dimensions HxWxD (Crated)	42.4 X 35.1 X 38.7
Weight-Shipping	266
Weight-Net	232
Start Components	NO
Sound Enclosure	YES
Compressor Sump Heat	YES

- ① Certified in accordance with the Air-Source Unitary Heat Pump Equipment certification program which is based on ARI Standard 210/240.
 - ② Calculated in accordance with N.E.C. Only use HACR circuit breakers or fuses.
 - ③ Standard line lengths - 60'. Standard lift - 60' Suction and Liquid line.
- For Greater lengths and lifts refer to refrigerant piping software Pub# 32-3312-01. (*denotes latest revision)



MODELS	BASE	FIG.	A	B	C	D	E	F	G	H	J	K
4A6H4036B	4	1	943 (37-1/8)	946 (37-1/4)	870 (34-1/4)	3/4	3/8	152 (6)	98 (3-7/8)	219 (8-5/8)	86 (3/8)	508 (20)

From Dwg. 21D152862 Rev. 17

A-weighted Sound Power Level [dB(A)]

MODEL	SOUND POWER LEVEL [dB(A)]	A-WEIGHTED FULL OCTAVE SOUND POWER LEVEL dB - [dB(A)]							
		63	125	250	500	1000	2000	4000	8000
4A6H4036B1	74	47.8	57.7	64.0	66.4	69.3	61.7	55.0	48.8

Mechanical Specification Options

General

These models shall be fully charged from the factory for matched indoor section and up to 15 feet of piping. This unit must be designed to operate at outdoor ambient temperatures as high as 115°F. Cooling capacities shall be matched with a wide selection of air handlers and furnace coils that are ARI certified. The unit shall be UL listed. Exterior must be designed for outdoor application.

Casing

Unit casing is constructed of heavy gauge, galvanized steel and painted with a weather-resistant powder paint finish on all louvered panels. Corrosion and weatherproof CMBP-G30 DuraBase™ base.

Refrigerant Controls

Refrigeration system controls include condenser fan and compressor contactor. High and low pressure controls are inherent to the compressor. Unit also has high pressure switch. Another standard feature is the liquid line drier.

Compressor

The Duration™ compressor features internal over temperature and pressure protector, dipped hermetic motor and sump heater. Other features include: roto lock suction and discharge refrigerant connections, centrifugal oil pump, and low vibration and noise. The Duration™ compressor features a 10-year limited warranty.

Condenser Coil

The Spine Fin™ coil shall be continuously wrapped, corrosion resistant all aluminum with minimum brazed joints. This coil is seamless aluminum glued to a continuous aluminum fin. Coils are lab tested to withstand 2,000 pounds of pressure per square inch.

Low Ambient Cooling

As shipped, this unit has a cooling capability to 55°F. The addition of an

evaporator defrost control permits operation to 40°F. The addition of an evaporator defrost control with TXV permits low ambient cooling to 30°F.

Accessories

Thermostats — Heat/cooling (manual and automatic changeover). Sub-base to match thermostat and locking thermostat cover.

Evaporator Defrost Control — See Low Ambient Cooling.

Outdoor Thermostat — Supplemental heat outdoor ambient lockout from 46 to -10°F.



American Standard

4/05

American Standard Inc.
6200 Troup Highway
Tyler, Texas 75711

American Standard Inc. has a policy of continuous product and product data improvement and it reserves the right to change design and specifications without notice.